

## Ready Board

### MS-RB22 Small Power Distribution Unit(SPDU)

#### Brief Introduction

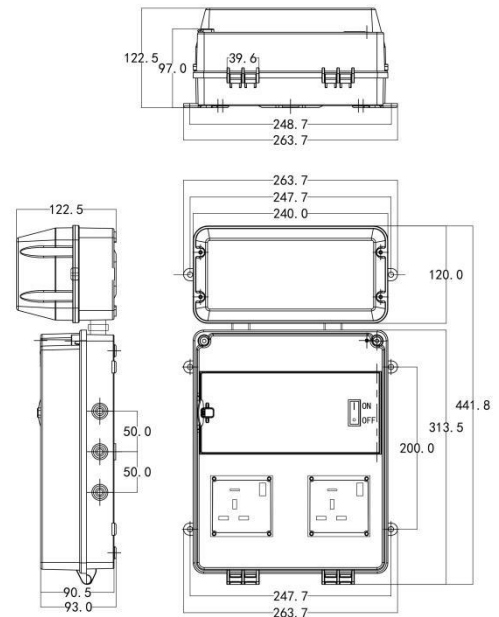
MS-RB22 is a portable, safe and easy to use pre-wired low voltage ready board with two 86 type sockets with switch and indicator, one lighting lamp, four mounting lugs suitable for wall mounting, three additional knockout for MCB installation, ten additional knockout for cable connection at side and back, and breakers are covered by lockable transparent lid. It is suitable for use for residential (small holding, extensions, garages, outbuildings), commercial and industrial purposes.



#### Specification

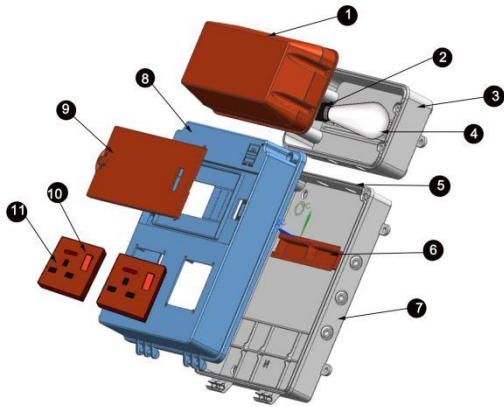
Items	Parameters
Dimension	L441.8mm*W263.7mm*H122.5mm
Power input	AC 230V
Socket type	BS type / Type G
Max. power output	13A
Lamp holder	Screw type E27 / Pin type BS
RCBO	1pcs 2P 32A 6kA
MCB	1pcs 5A 1P 6kA; 1pcs 20A 6kA
Material of Ready Board	Injection Molded Plastic
Type of mounting	Wall mounting with four screws
No. of access points for conduit or earth cable	9 at side and 1 at back.
Protection class	Casing IP41, light chamber IP67
Temperature	-30°C to 60°C
Color	Grey

#### Dimension



## Ready Board MS-RB22

### Components



- ❶ Lighting chamber cover
- ❷ Chamber Base
- ❸ Ceramic lamp head
- ❹ Chamber cover
- ❺ Lighting chamber base
- ❻ Lockable transparent lid
- ❼ Lamp
- ❼ Switch
- ❽ Waterproof connector
- ❽ BS socket
- ❾ Plastic Rail

### Installation Accessories

Option installation accessories  
(cost will be different based on the accessories)

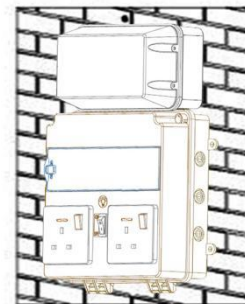


1PCS PG11/M20



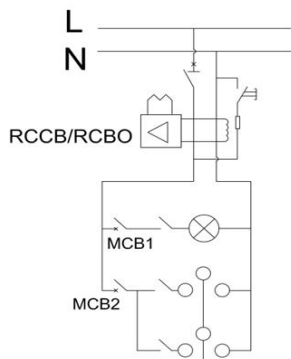
4PCS M8\*40mm  
Expand plug  
4PCS ST5\*35mm  
Self-tapping screw

### Installation Methods



Wall installation

### Electrical Diagram



### Quantity in Different Containers

Containers	Quantity
20GP	2160
40HQ	5544

Each meter enclosure is packed in a plastic bag, then in a carton, the carton is sealed by tape and tie.